



Reparaturatz Repair kit

1 507 010 022 für ELC - Ventilblock
for ELC - Valve Block

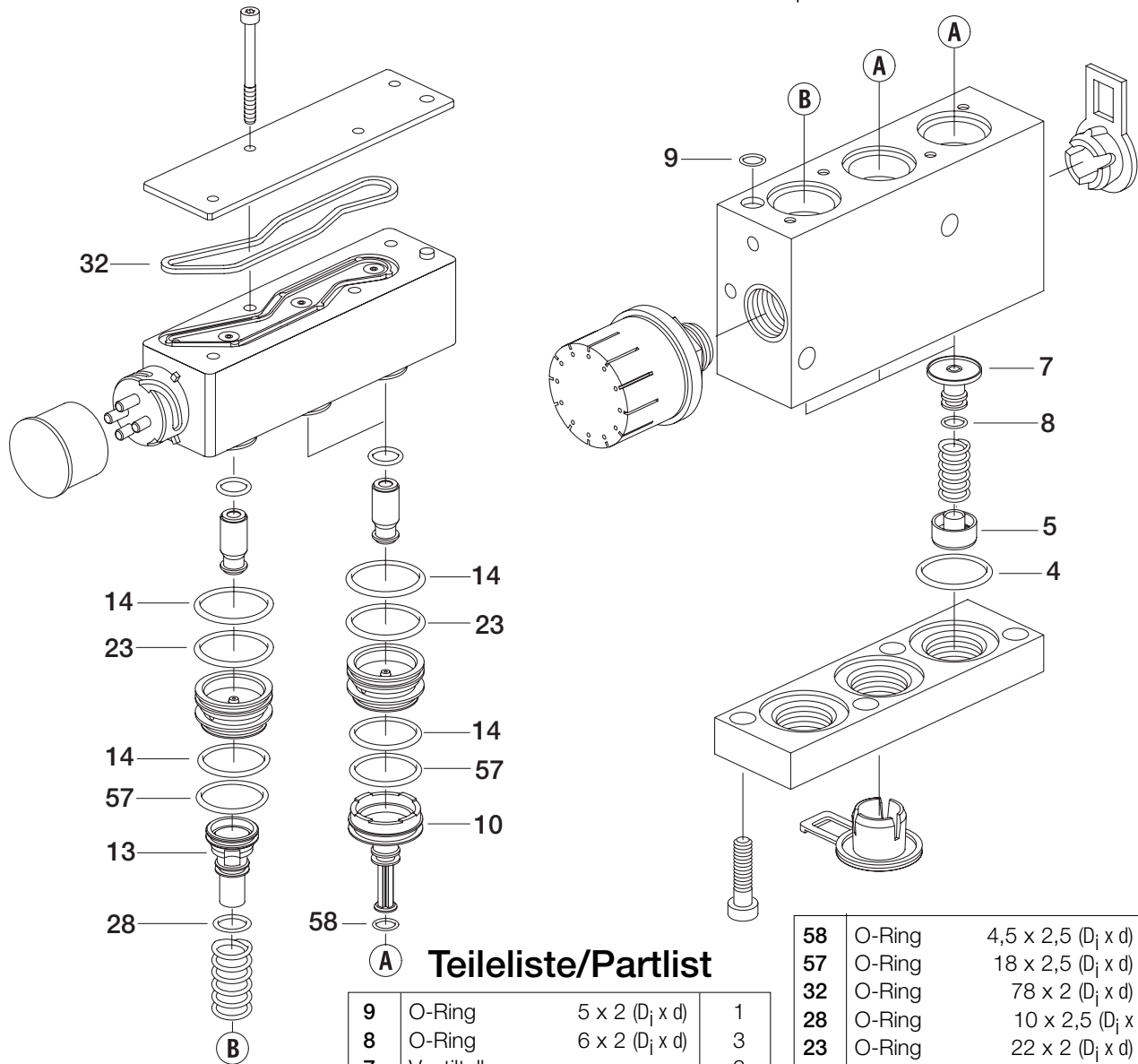
Reparaturanleitung bzw. Richt - Schnittzeichnung verwenden!
Please observe repair instructions or installation and sectional drawings!



ACHTUNG: REPARATUR NUR DURCH AUTORISIERTE WERKSTATT ZUGELASSEN!

Warning

ATTENTION: REPAIR ONLY BY AUTHORISED WORKSHOP PERMITTED!



Teileliste/Partlist

| | | | |
|--------------|-------------------------------|-------------------------------|---------------|
| 9 | O-Ring | 5 x 2 (D _i x d) | 1 |
| 8 | O-Ring | 6 x 2 (D _i x d) | 3 |
| 7 | Ventilteller Valve Head | | 3 |
| 5 | Führungshülse Guide Sleeve | | 3 |
| 4 | O-Ring | 24 x 2,5 (D _i x d) | 3 |
| Pos. Rep. | Benennung Désignation | | Stück Qté. |

| | | | |
|--------------|--------------------------|--------------------------------|---------------|
| 58 | O-Ring | 4,5 x 2,5 (D _i x d) | 2 |
| 57 | O-Ring | 18 x 2,5 (D _i x d) | 3 |
| 32 | O-Ring | 78 x 2 (D _i x d) | 1 |
| 28 | O-Ring | 10 x 2,5 (D _i x d) | 1 |
| 23 | O-Ring | 22 x 2 (D _i x d) | 3 |
| 14 | O-Ring | 19 x 2 (D _i x d) | 6 |
| 13 | Ventilrohr Valve Pipe | | 1 |
| 10 | Stößel Tappet | | 2 |
| Pos. Rep. | Benennung Désignation | | Stück Qté. |



KNORR-BREMSE

Z041068/Äi--

Y061840